

© 2004 Mazda Motor of America, Inc.

Subject: SQUEAK NOISE FROM REAR BRAKES	Bulletin No: 04-003/04
	Last Issued: 05/14/2004

BULLETIN NOTE

- This bulletin supersedes last issued 05/03/2004. The REPAIR PROCEDURE has been revised.

APPLICABLE MODEL(S)/VINS

2004 Mazda3 with 15" wheels

With VINs lower than JM1 BK **** 41 131014

2004 Mazda3 with 16" or 17" wheels

With VINs lower than JM1 BK **** 41 130969

DESCRIPTION

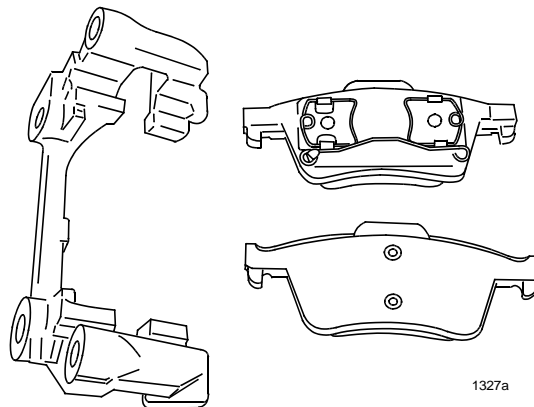
Some customers may hear a squeaking noise coming from the rear brakes when starting the vehicle from a stop, or, during light brake pedal application.

The rear brake pad on the mounting (ie: caliper) support may not fit straight due to burrs. Because of this, the rear brake pad partially contacts the disc plate, causing the squeak noise. The concern can also occur if the parking brake is improperly adjusted.

Customers having this concern should have their vehicle repaired using the following repair procedure.

REPAIR PROCEDURE

1. Verify customer concern.
2. Disassemble the rear brake calipers from the vehicle and remove the mounting supports and pads. Refer to Workshop Manual (section 04-11 REAR BRAKE (DISC) REMOVAL/INSTALLATION).



3. File the corners of the pads as shown below.

NOTE: Use an extra fine steel file available at local hardware stores.

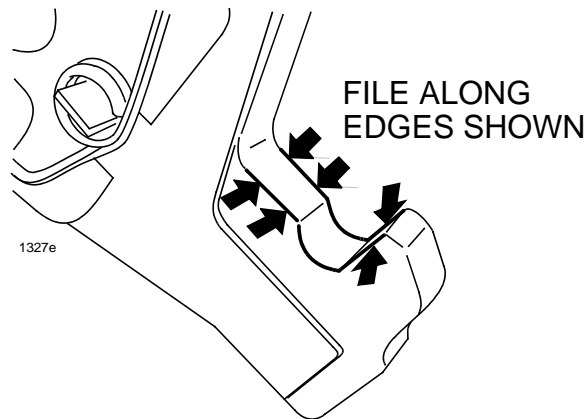
a. Remove burrs from the contact surface between all pads and mounting supports as shown.

NOTE: Be sure to file both inner and outer edges.

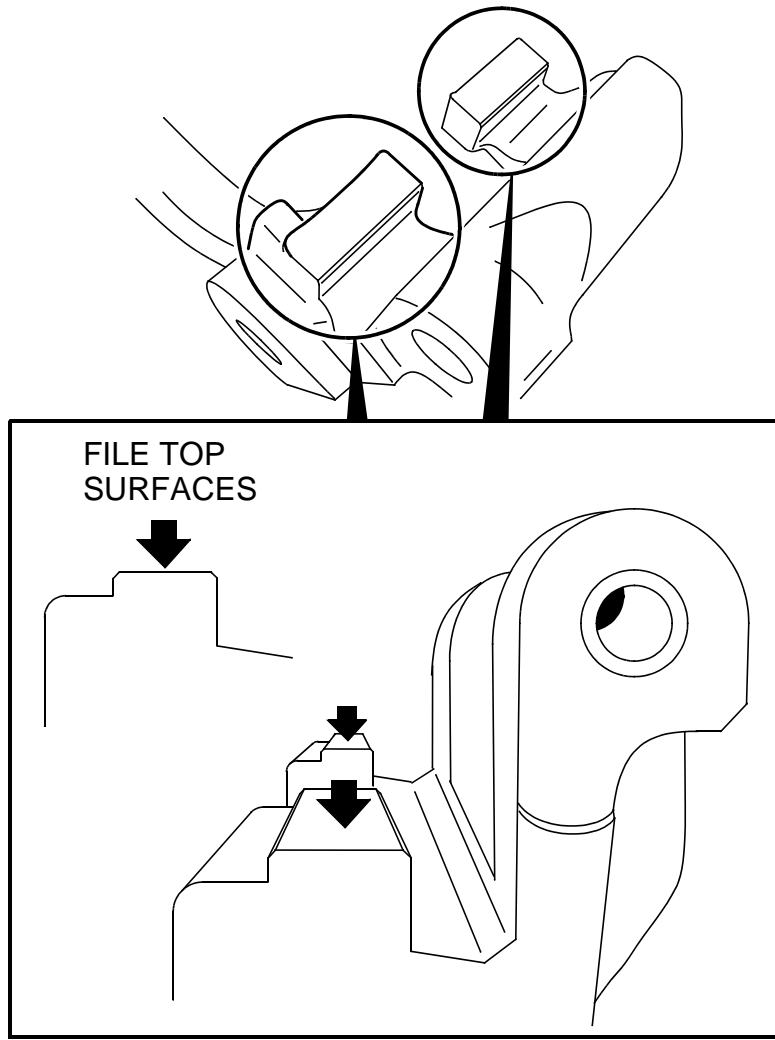
b. Run finger along edges of the pads and make sure you don't feel any burrs.

NOTE: It is not necessary to over file as long as no burrs are felt.

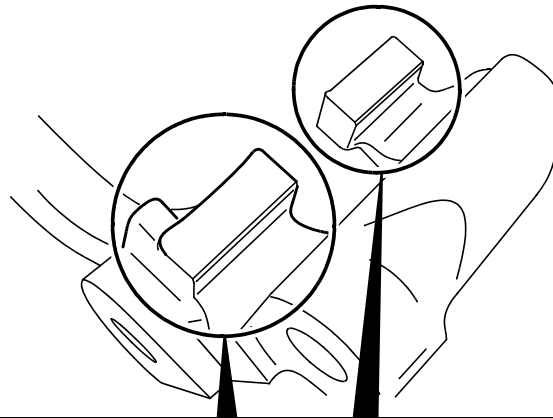
BRAKE PAD



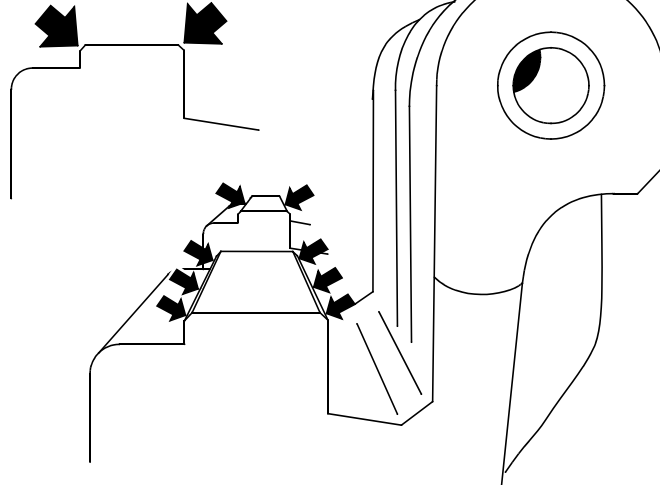
4. File mounting supports as shown.



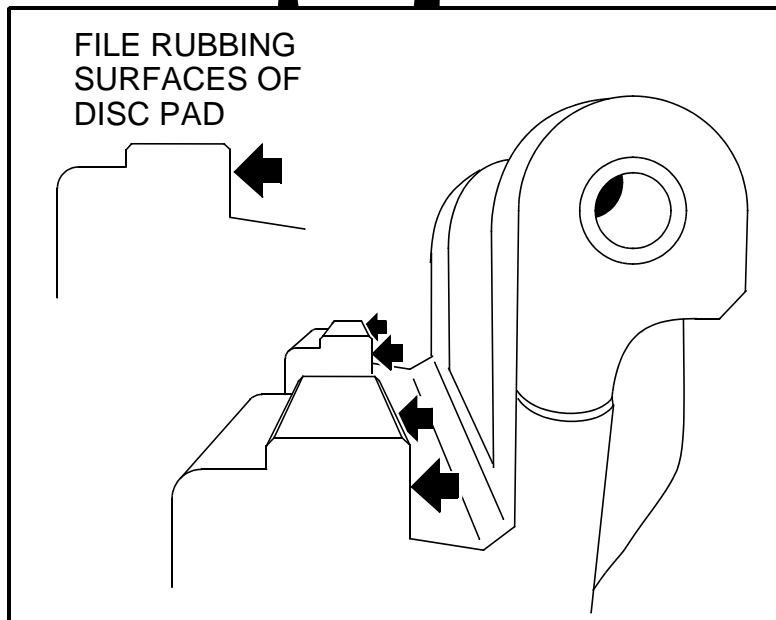
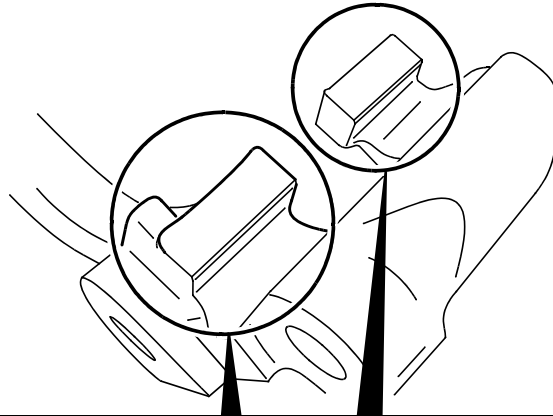
1327b



**FILE ENTIRE LENGTH
OF TAPERED SURFACES**



1327c

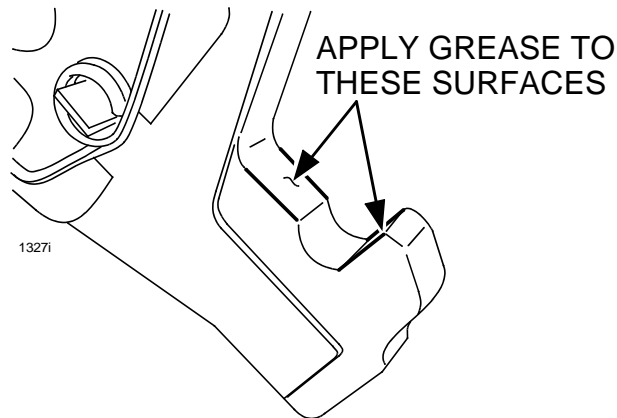


1327d

5. Apply grease sparingly to pads, as shown, where it contacts the mounting supports. There are four locations per pad.

NOTE: Use high temperature, anti-seize lubricant, Permatex P/N 133AR (available at a local automotive parts store), or equivalent.

BRAKE PAD



6. Reassemble brake pads and mounting supports.
7. Adjust lever of the parking brake until a click is heard 3 to 6 times when pulled up hard (approximately 10 kg / 22 lb). Refer to Workshop Manual (section 04-12 PARKING BRAKE LEVER ADJUSTMENT).
8. Verify repair.

WARRANTY INFORMATION

NOTE:

- This warranty information applies only to verified customer complaints on vehicles eligible for warranty repair. Refer to the SRT microfiche for warranty term information.
- Additional diagnostic time cannot be claimed for this repair.

Warranty Type	A
Symptom Code	35
Damage Code	9J
Part Number Main Cause	15" wheels - BPYK-26-28X or 16"/17" wheels - BPYS-26-28X
Quantity	0
Operation Number / Labor Hours:	XX654XRX (both sides) / 1.0